

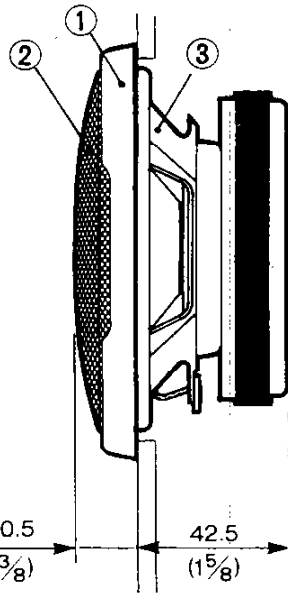
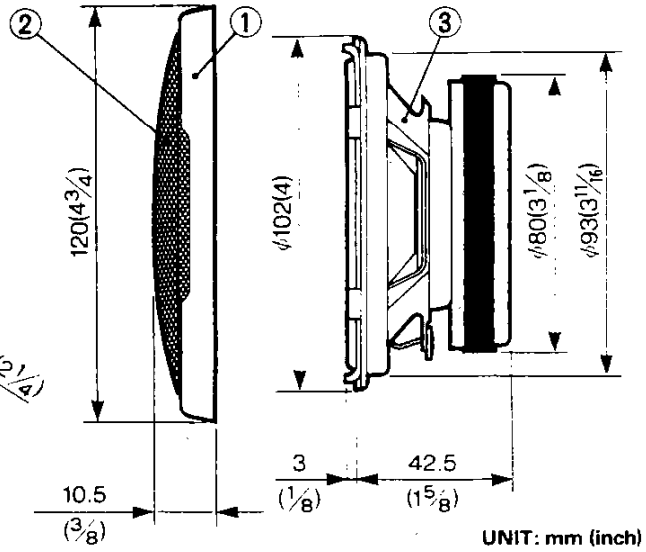
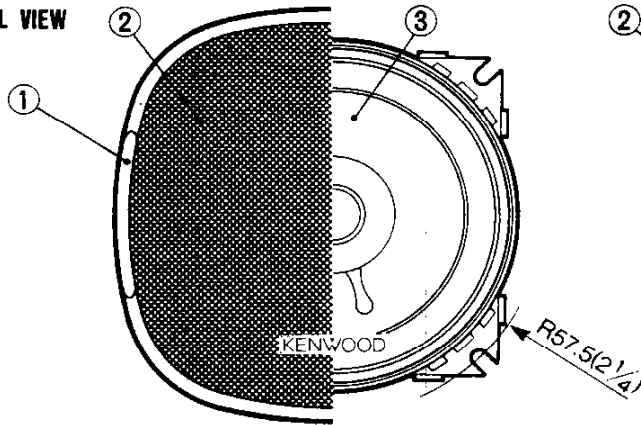
# KFC-1062

## SERVICE MANUAL

# KENWOOD

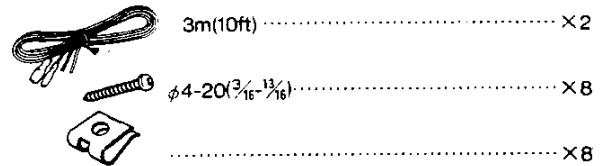
©1988-12 PRINTED IN JAPAN  
B51-3771-00(B)1166

**EXTERNAL VIEW**



UNIT: mm (inch)

**PARTS INCLUDED**



- 3m(10ft) ..... × 2
- φ4-20(3/16-13/16) ..... × 8
- ..... × 8

**SPECIFICATIONS**

- Speaker ..... 10cm(4in) Water proof treatment  
cone type
- Peak power ..... 45 Watts
- Frequency Response ..... 60Hz ~ 20,000Hz
- Sensitivity ..... 90dB/W at 1m
- Impedance ..... 4 ohms
- Weight per speaker with grille ..... 0.55kg(1lb 3oz)/pc

We follow a policy of advancements in development.  
For this reason specifications may be changed without notice.

**PARTS LIST**

★ New parts  
Parts without **Parts No.** are not supplied.  
Les articles non mentionnés dans le **Parts No.** ne sont pas fournis.  
Teile ohne **Parts No.** werden nicht geliefert.

Ref No.	New Parts	Parts No.	Description
①	★	B06-0319-08	FRONT GRILLE
		B46-0100-10	WARRANTY CARD
②	★	E30-1238-08	CORD SET
	★	F09-0889-08	PROTECTOR
	★	N99-1088-08	SCREW SET
③	★	T07-0145-08	SPEAKER